

# LITTLE GIANT TRAILER

## OPERATORS INSTRUCTION MANUAL



**WARNING!** Serious injury may result if this product is misused. The manufacturer provides the following instructions for use and care of this equipment and relies upon the purchaser to see to it that these instructions are made clear to the person who will be using the equipment.

Reciba entrenamiento y entienda el manual de instrucciones, o haga que le lean el manual, antes de operar esta unidad.



P/N: 160007

REV B ECO 5444

DATE: 4/3/23

2601 Niagara Lane N, Plymouth, MN 55447

PHONE: (763) 553-1935

[www.garlockequip.com](http://www.garlockequip.com)

# Table of Contents

<b>Little Giant Trailer .....</b>	<b>3</b>
<i>Introduction .....</i>	<i>3</i>
<i>Safety Precautions.....</i>	<i>4</i>
<b>Specifications.....</b>	<b>6</b>
<b>Part List .....</b>	<b>7</b>
<i>Assembly Instructions.....</i>	<i>8</i>
<i>Decal Locations.....</i>	<i>9</i>
<i>Decals.....</i>	<i>10</i>
<b>Warranty.....</b>	<b>11</b>

# LITTLE GIANT TRAILER

Thank you for purchasing this quality Garlock product. With proper use and care, the product will serve you for years with reliable service. For the safety of the operator and other people on the job site, it is imperative that the operator read and understand these instructions before using.

DATE OF PURCHASE \_\_\_\_\_ SERIAL NUMBER \_\_\_\_\_



**WARNING!** Do not attempt any operation which is not described in this manual. Other operations could cause serious injury or death. Read, understand and follow the manual when operating this machine or performing maintenance.

## Signal Words in Manual



This is the safety alert symbol. It is used to alert you to potential injury hazards. Obey all safety messages that follow this symbol to avoid possible injury or death.



**DANGER**

**DANGER!** Indicates a hazardous situation which, if not avoided, will result in death or serious injury



**WARNING**

**WARNING!** Indicates a hazardous situation which, if not avoided, could result in death or serious injury



**CAUTION**

**CAUTION!** Indicates a hazardous situation which, if not avoided, could result in minor or moderate injury

**NOTICE**

**NOTICE:** Is used to address practices not related to personal injury

# Safety Precautions

## Do Not Operate Before Reading

- **INTENDED USE:** This product is intended to be used on flat, level roofs for the sole purpose of transporting roofing materials, Garlock hot tanks and dump trays (or as a general - purpose trailer on the ground). Any other use of this equipment voids the manufacturer's warranty and is the sole responsibility of the owner/user, should damage or injury occur.
- For use on flat, level roofs only.
- Maintain proper and even tire pressure on trailer tires.
- Ensure cotter pins and wheels are secure before use.
- Know the load limit of the deck and do not exceed it. Be sure to take into account all of the load weight including trailer, trailer accessories, and materials (and towing vehicle).
- Do not exceed load limit of trailer - 2000 lbs. gross load limit. Dump tray capacities are 800 lbs. maximum.
- Set up warning lines per OSHA standards. Mechanical equipment should be no closer than 6 feet from the edge of the roof - when working parallel to the edge; no closer than 10 feet when working perpendicular to the edge. Roof edge material handling area must also be set up to meet OSHA standards. Guardrails should be positioned on each side of the discharge or loading area at the roof edge (or other suitable motion - stopping system approved by OSHA). Any openings in the roof must be guarded (or covered to be weight supporting).
- **Keep the trailer's load balanced toward the center at all times.** An uneven load could cause the trailer to become unstable. For example, a 500 lb. load positioned behind the back wheels could result in severe injury.
- Before operating the equipment, inspect for damage of structure or welds. Do not operate damaged equipment. Do not modify the equipment. Do not operate equipment that has been modified.
- Do not tow at over 5 mph. **Avoid towing hot tanks.**
- Do not allow passengers on trailer or trailer accessories.
- Do not operate equipment near electrical power lines.

## **Safety Precautions Continued**

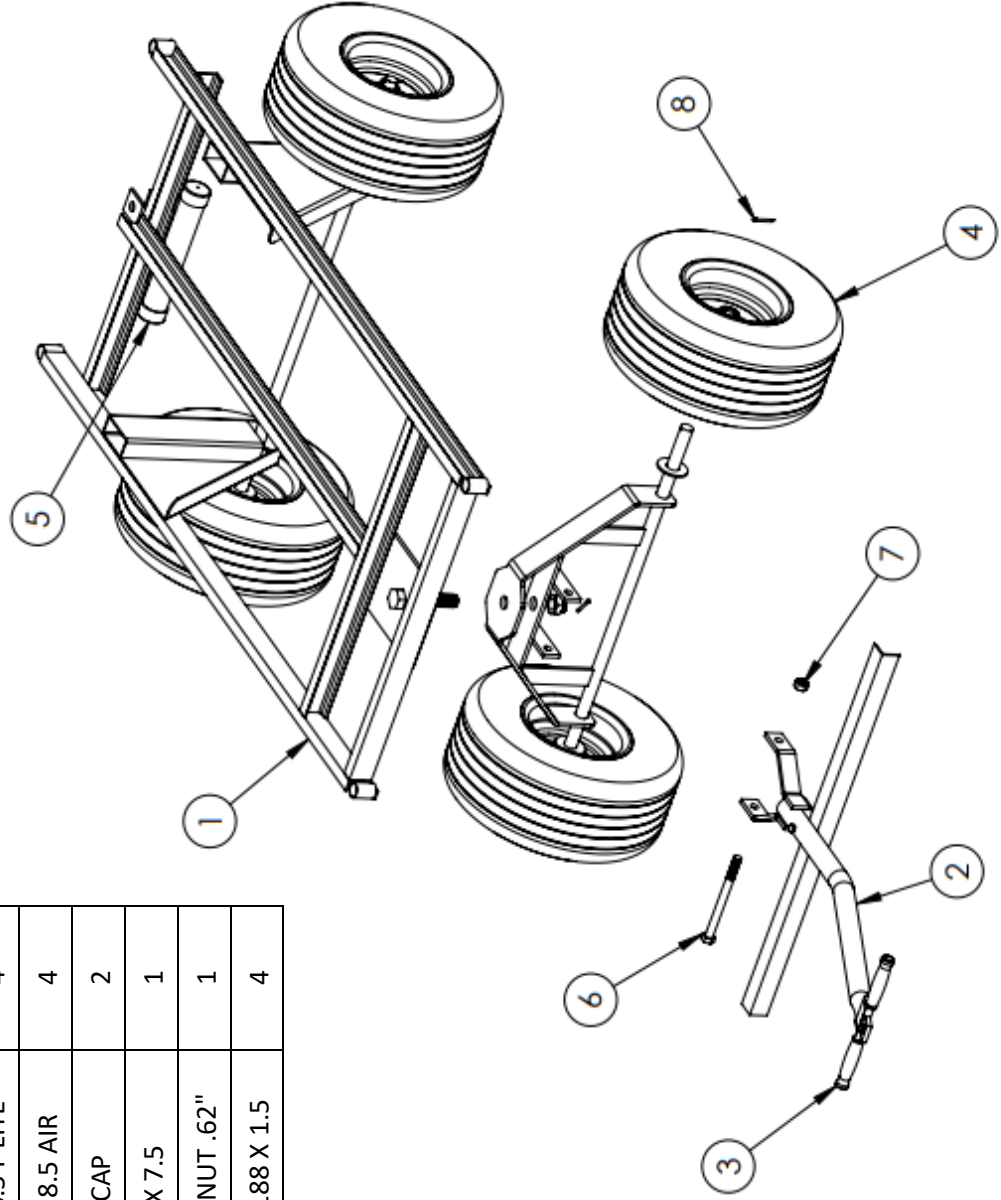
- Make certain roof edge material handling area is flat, level, and clear of debris and obstacles.
- Keep people away from “dump” side of trailer when setting up dump.
- Make certain no persons are in danger of being struck by discharged material. Keep unauthorized people away from the area. Set up warning line on the ground around the discharge collection point.
- Refer to accessory instructions when accessories are used with the trailer. This include hot tanks and dump trays.
- Wear safety footwear.
- Allow handle to drop and set brake when not in use.
- Keep loading areas clear of obstacles.
- Operator must see that safety decals are visible and that instructions are in place on the unit (inside instruction tube). Free replacement decals and instructions are available from Garlock Equipment Co. Call or write to our office in Minneapolis, MN.
- **Do not hoist trailer to roof without first removing any accessories.**
- **Consult Garlock Equipment Co. for safety instructions for the use of hot tanks with Gar-**

# Little Giant Trailer Specifications

<b>Length</b>	<b>95"</b>	<b>2413 mm</b>
<b>Width</b>	<b>47"</b>	<b>1194 mm</b>
<b>Height</b>	<b>22"</b>	<b>559 mm</b>
<b>Handle Length</b>	<b>32"</b>	<b>813 mm</b>
<b>Weight</b>	<b>227 Lbs.</b>	<b>103 Kg.</b>
<b>Wheels Front</b>	<b>18 x 8.5 x 8 x 1 (4 PLY)</b>	<b>18 x 8.5 x 8 x 1 (4 PLY)</b>
<b>Wheels Rear</b>	<b>18 x 8.5 x 8 x 1 (4 PLY)</b>	<b>18 x 8.5 x 8 x 1 (4 PLY)</b>
<b>Tire Pressure</b>	<b>25 PSI</b>	<b>172 kpa</b>
<b>Load Limit</b>	<b>2000 Lbs.</b>	<b>907 Kg.</b>
<b>Dump Tray Capacity</b>	<b>800 Lbs.</b>	<b>363 Kg.</b>
<b>Bed Size</b>	<b>30" x 60"</b>	<b>762 mm x 1524 mm</b>

# Parts List

ITEM	PART No.	DESCRIPTION	QTY
1	408407	LGT FRAME WELDMENT	1
2	153966	HANDLE BAR	1
3	150033	BLACK GRIP 5/8"	2
4	200632	WHEEL-18 X 8.5 F'LITE	4
4	140014	WHEEL-18 X 8.5 AIR	4
5	150825	PLASTIC CAP	2
6	100052	HHCS .62 X 7.5	1
7	100171	PLASTIC LOCK NUT .62"	1
8	100160	COTTER PIN .188 X 1.5	4



# Assembly Instructions

## Step 1.

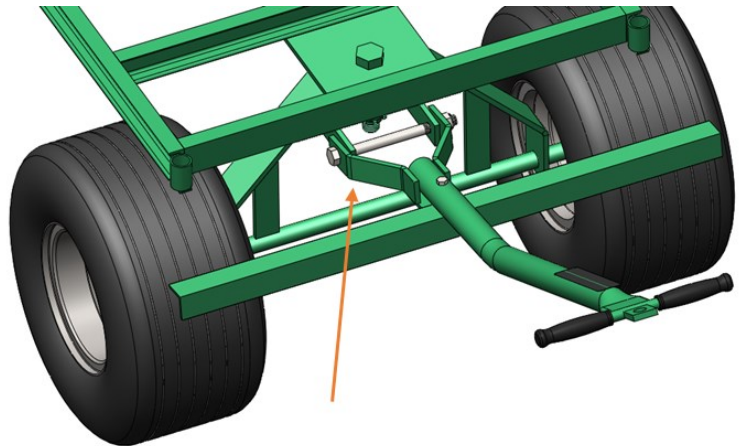


- Slide on wheel and insert cotter pin
- Bend one leg of cotter pin 90°
- Repeat process for each of the four wheels

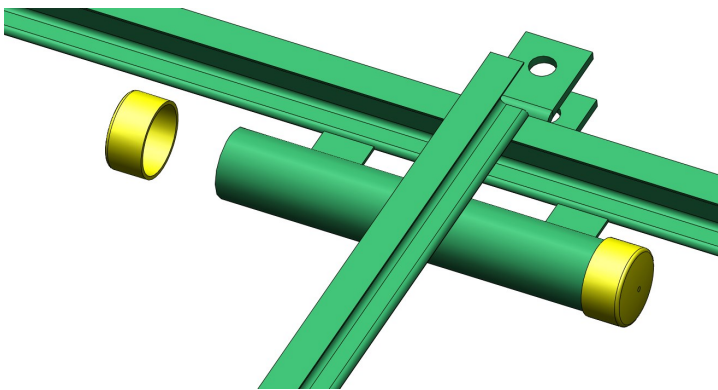
**NOTE:** Easiest to hoist the Little Giant Trailer up to attach the wheels

## Step 2.

- Attach the handle by lining up the bracket and bolting it with the 7.5" bolt and lock nut
- Slide on the grips to both sides of the handle



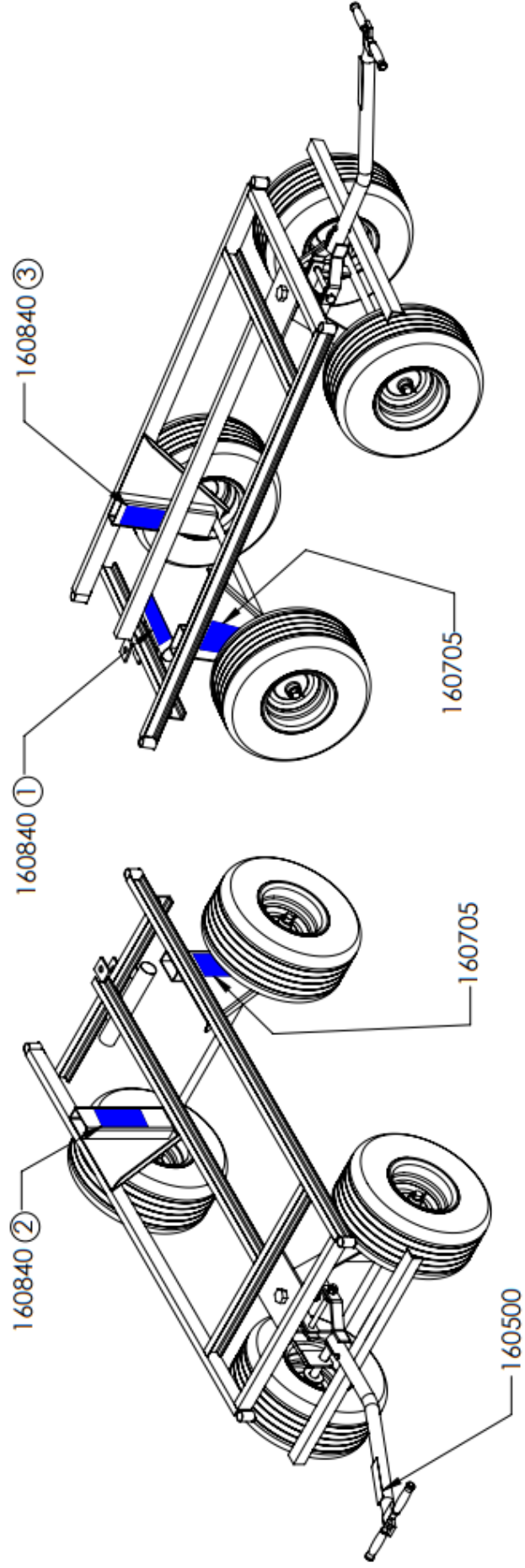
## Step 3.



- Place manual in tube and apply caps to both ends

\*Ensure cotter pins and wheels are secure before use\*

# Decal Locations

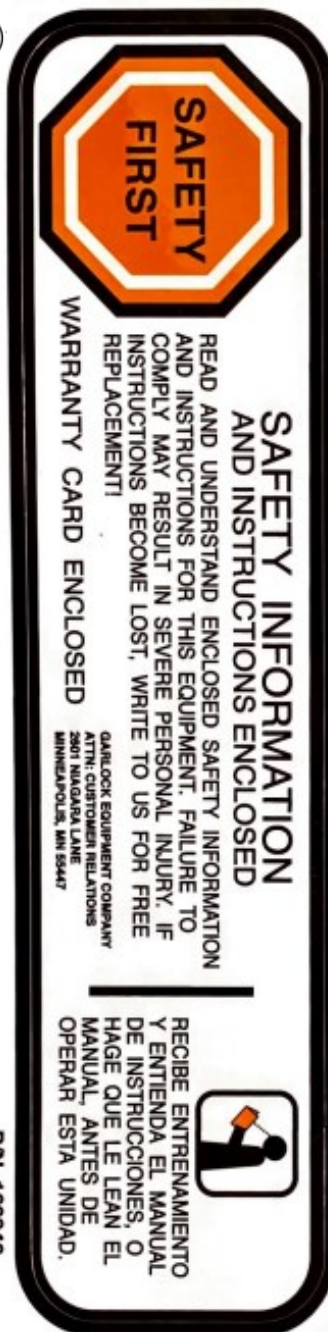


# Decals



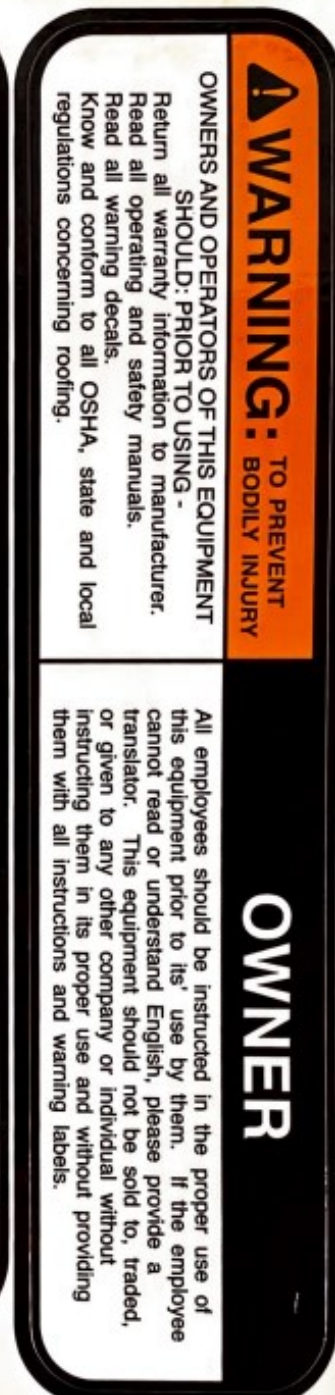
P/N 160705

1



P/N 160840

2



3



This card must be filled out completely and mailed within ten (10) days from date equipment is delivered or warranty is null and void.

EQUIPMENT PURCHASED.....SERIAL NO.....

DATE DELIVERED..... NAME OF PURCHASER.....

ADDRESS.....CITY.....STATE..... ZIP.....

PURCHASED FROM (DEALER NAME) .....

ADDRESS.....CITY.....STATE..... ZIP.....

Was a copy of the owner's manual and operation instructions included with the above equipment? YES  NO

Will the owner of the equipment provide instruction and copies of the owner's manual for all operators of the equipment? YES  NO

Was the equipment specified above, received in good condition? YES  NO

If there was some defect or damage to the equipment, please indicate the nature of the same .....

GARLOCK EQUIPMENT COMPANY  
2601 Niagara Lane Plymouth,  
Minnesota 55447

(A) EXPRESS WARRANTY: Manufacturer warrants each product to be free from defective material and workmanship for a period of 12 months from date of delivery to purchaser except that the materials and workmanship on electrical equipment and hydraulic equipment are warranted for a period of 120 days from date of shipment to the purchaser. This warranty does not cover the engine or tires which are covered by separate warranties of the respective manufacturers

This warranty does not apply to brushes, v-belts, cutting tools, cable or wire ropes, and impellers.

The manufacturer makes no other express warranties and no affirmation by manufacturer or its representatives by word or action shall constitute a warranty.

CONDITIONS: Since manufacturer is shipping equipment designed for specific purposes, any shop modifications made to said equipment by the owner, freight damage, collisions, overturn, dropping, water damage or damage to the machine or equipment after shipment by manufacturer voids the warranty. Warranty is further void if the equipment is subject to unusual, improper use or abuse or for purpose for which it was not intended.

The warranty is void if the machine or equipment is transferred to the possession of another by the original purchaser.

PARTS & SERVICE: During the warranty period as set forth in the express warranty parts found defective by the manufacturer's inspection and covered by the warranty will be replaced free of charge. F.O.B. Plymouth, Minnesota. Should service such as erection, demonstration or repairing of the machine or equipment be requested beyond that covered by the warranty such service will be rendered at a charge, plus transportation and expenses of the factory service representative.

The warranty card must be filled out and returned to the manufacturer at the time the product is put into service for the warranty to be valid. Warranty claims are limited to the machine or equipment sold by the manufacturer and under no conditions do they extend to work spoilage, contracts lost, or other costs that may accrue to the user or owner of the equipment and :n no event shall the manufacturer be liable for any special or consequential damages.

Model \_\_\_\_\_ Serial No \_\_\_\_\_ Date Purchased \_\_\_\_\_



2601 Niagara Lane N, Plymouth, MN 55447

PHONE: (763) 553-1935

[www.garlockequip.com](http://www.garlockequip.com)